

Motion detectors

IS 2360-3 ECO

EAN 4007841 057770

STEINEL[®]
PROFESSIONAL



infrared sensor
360°



max. 12 m

2000w

max. 2000 W



IP54



2 - 1000 lux



5 sec - 15 min



energy saving

5 JAHRE
HERSTELLER
GARANTIE
Hersteller-Garantie

manufacturer's
warranty
steinel-professional.de/garantie



CE

Function description

The multi-talent for indoors and outdoors. Infrared wall sensor IS 2360-3 ECO, 3 pyro sensors for a 360° angle of coverage, reach can be set up to 12 m, selectable time and twilight threshold, detection zone can be customised with shrouds.

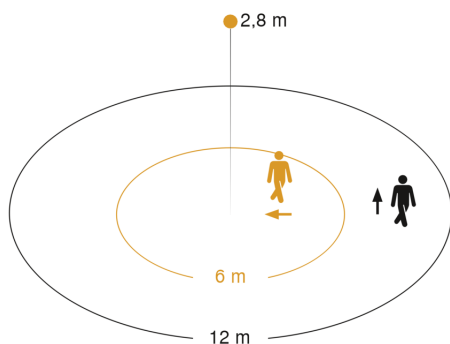
IS 2360-3 ECO

EAN 4007841 057770

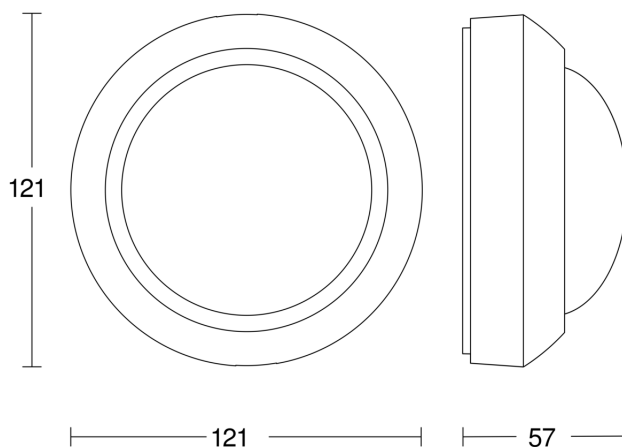
Technical specifications

Type	Motion detectors
Dimensions (Ø x H)	121 x 57 mm
Mains power supply	220 – 240 V / 50 – 60 Hz
Power consumption	0,56 W
Sensor Technology	passive infrared
Application, place	Outdoors, Indoors
Application, place, room	corridor / aisle, changing room, function room / ancillary room, kitchenette, stairwell, WC / washroom, multi-storey / underground car park, outdoors, warehouse, Indoors
Installation site	ceiling
Installation	Surface wiring
Switching zones	972 switching zones
Electronic scalability	No
Mechanical scalability	No
Mounting height	2,50 – 6,00 m
Optimum mounting height	2,8 m
Detection angle	360 °
Angle of aperture	90 °
Sneak-by guard	Yes
Capability of masking out individual segments	Yes
Reach, radial	Ø 12 m (113 m ²)
Twilight setting TEACH	No

Twilight setting	2 – 1000 lx
Time setting	5 s – 15 Min.
Switching output 1, resistive	2000 W
Switching output 1, number of LEDs / fluorescent lamps	8 pcs.
Switching output 1, floating	No
Constant-lighting control	No
Basic light level function	No
Settings via	Potentiometers
With remote control	No
Interconnection	Yes
Type of interconnection	Master/master
IP-rating	IP54
Material	Plastic
Ambient temperature	-20 – 50 °C
Colour	white
Colour, RAL	9010
IDs, certificates	VDE
Manufacturer's Warranty	5 years
PU1, EAN	4007841057770

Detection Zone

Mögliche Montagehöhe: 2,50 m – 6,00 m
 Orange: radial
 Schwarz: tangential

Dimension Drawing

Motion detectors

IS 2360-3 ECO

EAN 4007841 057770



Circuit diagram

